

**U-IP802**  
**U-IP1602**  
**U-IP3202**

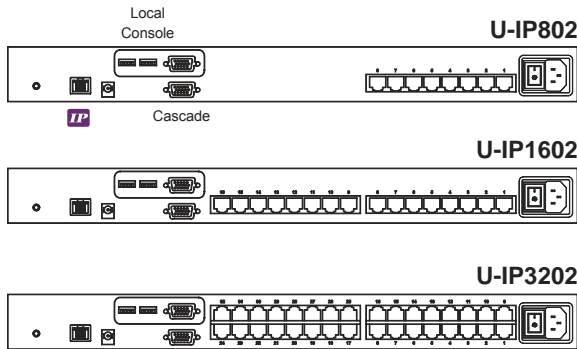


### Combo Cat6 IP KVM Benefits

- ▶ Combo Cat6 KVM with either 8, 16 or 32 ports in 1U
- ▶ Up to 40 meters between your servers & KVM ports
- ▶ IP remote access across the world wide web
- ▶ Support resolution up to 1920 x 1080 ( local console )
- ▶ Cascade switches up to 8 levels & Mix switches between Cat6 & Combo DB-15 KVM
- ▶ Support DVI-USB, VGA-USB & VGA-PS/2 server interface
- ▶ Mix PS/2, USB & SUN with Multi-Platform switch capability

### Switch Features & Options

- Multi lingual on screen display menu
- Advanced user profiles and configurable OSD hot key combinations
- Dual power with failover
- DC power options : 12V / 24V / 48V / 125V / 250V



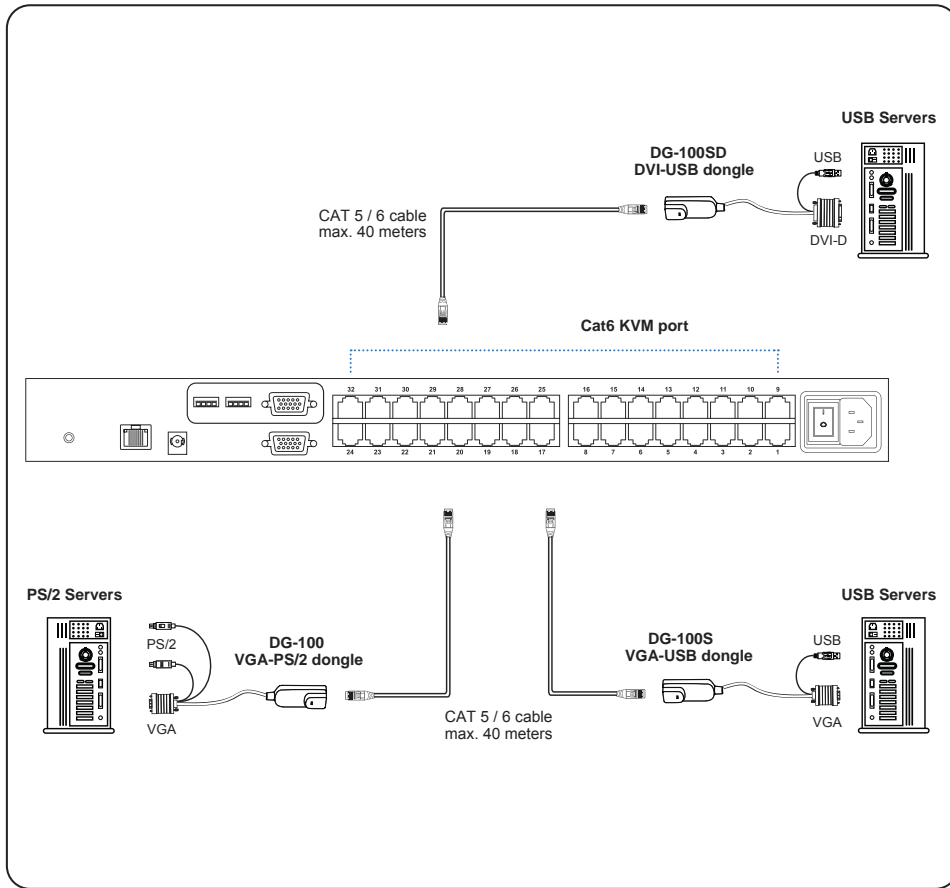
### Ordering Information

Console	Local	Remote	IP	8-port	16-port	32-port
	1	0	1	<b>U-IP802</b>	<b>U-IP1602</b>	<b>U-IP3202</b>

### KVM Specification

<p>■ <b>KVM Port</b></p> <p>Number of ports : 8, 16 or 32            Connector : RJ-45            Connectivity : DVI-D / VGA connector dongle up to 40 meters (132 feet) via Cat6 / Cat5 cable</p> <p>■ <b>Local Console</b></p> <p>Graphic Connector : 1 x DB-15 VGA            Input device : 2 x USB type A for keyboard &amp; mouse            Resolution support : 4:3 - max. 1600 x 1200            16:9 - max. 1920 x 1080</p> <p>■ <b>IP Remote Console</b></p> <p>Connector : RJ45 Ethernet            User management : 15-user login, 1 x active user            Network protocol : DHCP / BOOTP / DNS            Security : SSL v3, RSA, AES, HTTP / HTTPs, CSR            Browser : IE, Firefox, Safari, Netscape            Resolution support : 4:3 - max. 1600 x 1200</p> <p>■ <b>Expansion</b> : Up to 256 servers by 8-level cascade</p> <p>■ <b>Compatibility</b></p> <p>Hardware : HP / IBM / Dell PC, Server and Blade Server            SUN / Mac            OS Support : Windows / Linux / Unix / Mac OS</p>	<p>■ <b>Power</b></p> <p>Input : Auto sensing 100 to 240VAC, 50 / 60 Hz            Option DC : 12V / 24V / 48V / 125V / 250V DC input            Consumption : Max. 19W</p> <p>■ <b>Regulatory</b></p> <p>Safety : cUL, FCC &amp; CE certified            Environment : RoHS2 &amp; REACH compliant</p> <p>■ <b>Environmental</b></p> <p>Operating temperature : 0 to 55°C degree            Storage temperature : -20 to 60°C degree            Operating humidity : 20~90%, non-condensing            Storage humidity : 5 ~90%, non-condensing            Operating altitude : 16,000 ft            Non-operating altitude : 40,000 ft            Shock : 10G acceleration (11ms duration)            Vibration : 5~500Hz 1G RMS random vibration</p> <p>■ <b>Product Information</b></p> <p>Dimension (W x D x H) : 443 x 171 x 44 mm / 17.4 x 6.7 x 1.73 inch            Net weight : 3 kg / 6.5 lb</p> <p>■ <b>Packing Information</b></p> <p>Dimension (W x D x H) : 500 x 400 x 90 mm / 19.7 x 15.7 x 3.5 inch            Gross weight : 5 kg / 11 lb</p>
---	---

## KVM port & Cat6 dongle connection



### DG-100SD DVI-USB dongle

- Connect DVI-D connector to the computer's video card
- Connect USB connector to the computer's USB port



### DG-100S VGA-USB dongle

- Connect DB-15 connector to the computer's video card
- Connect USB connector to the computer's USB port



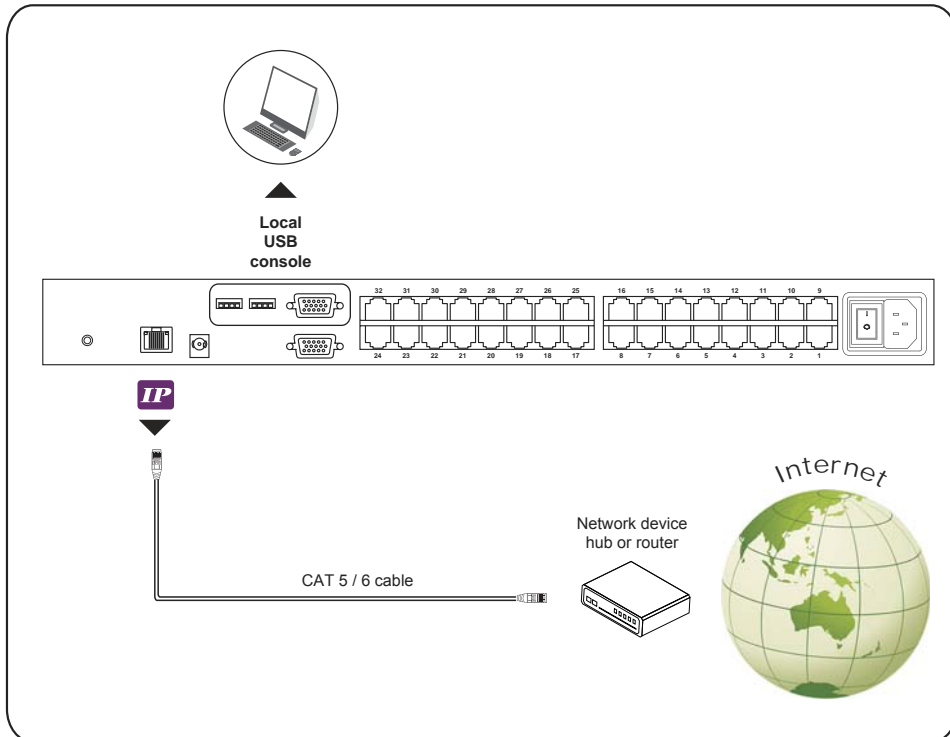
### DG-100 VGA-PS/2 dongle

- Connect DB-15 connector to the computer's video card
- Connect PS/2 keyboard connector to the computer's keyboard port
- Connect PS/2 mouse connector to the computer's mouse port

### Cat6 Dongle

Resolution Support	Frequency ( Hz )
1920 x 1080	60
1600 x 1200	60
1440 x 900	60
1280 x 1024	60
1024 x 768	60 / 70 / 75

## IP & Local console connection

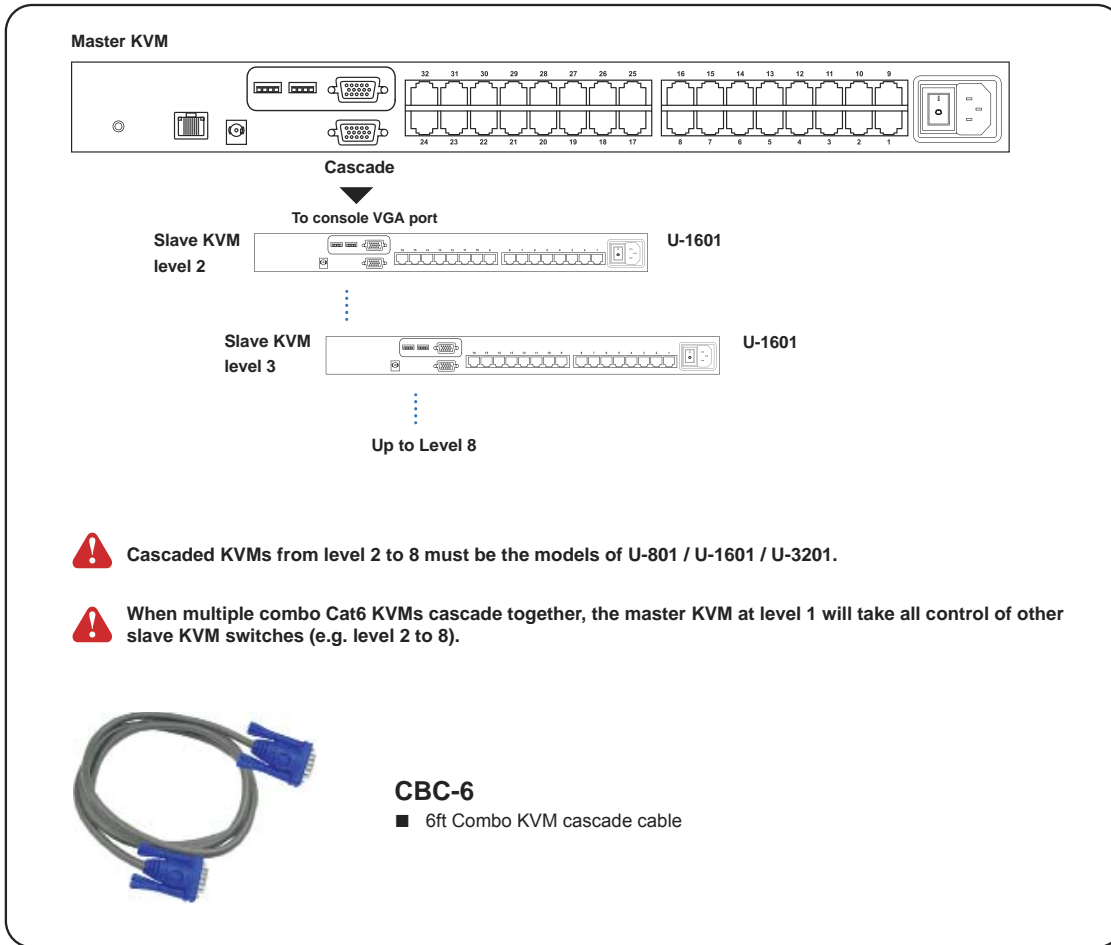


### IP Console

Resolution Support	Frequency ( Hz )
1600 x 1200	60
1280 x 1024	60
1024 x 768	60 / 70 / 75

## KVM Cascade

- Cascade up to 8 levels, 256 servers
- Cascading multiple KVM with CBC-6 cascade cable.



**Warning:** For detailed product specifications and options, please download the user manual from the link below : [www.austin-hughes.com/support/usermanual/cyberview/UM-CV-UKVM.pdf](http://www.austin-hughes.com/support/usermanual/cyberview/UM-CV-UKVM.pdf)